



Size Range

120 x 120 x 38 mm 4,72 x 4,72 x 1,5 "  
BDC AXIAL FAN

### TECHNICAL DATA

#### Characteristics

- Weight: 0,5 Kg / 1,11 Lb
- Housing in Aluminium
- Impeller in plastic
- L-10 life expectancy at 40°C: 80.000 hours
- Operating temperature range: -40 / +85 °C
- Storage temperature: -54 / +85°C
- Connection: Terminals
- GAM T1 listed
- Brushless DC motor
- Integrated circuit
- IP20

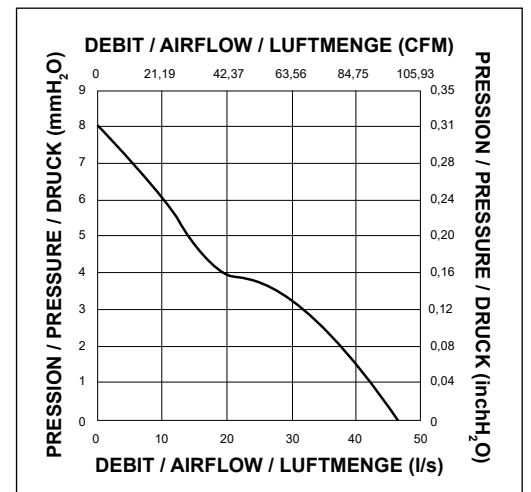
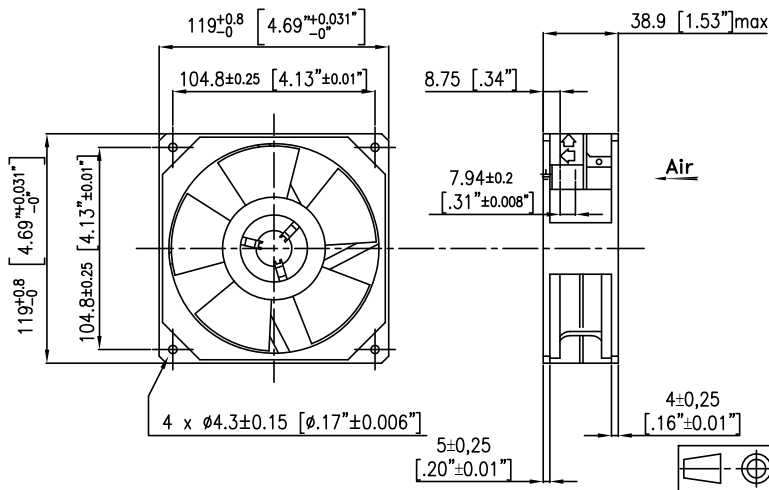
#### Options

- Speed sensor
- Alarm
- Other IP levels
- Flying leads connection
- Salt spray protection
- Shocks and vibrations protection
- Marine application
- Wide temperature range
- Other voltages
- Others speeds

### ELECTRICAL AND AERAILIC DATA

Part Number	Voltage	Voltage range	Airflow		Pressure		Nominal speed	Noise level LP	Nominal current	power
	V		l/s	CFM	mm H <sub>2</sub> o	inch H <sub>2</sub> o	RPM	dBA	A	W
125YG51B8002	12	10,8-13,2 V	46,00	97,52	8,00	0,31	2900	45	0,50	6,00
125YG51C8002	24	21,6-26,4 V	46,00	97,52	8,00	0,31	2900	45	0,18	4,30
125YG51E8002	28	25,2-30,8 V	46,00	97,52	8,00	0,31	2900	45	0,14	3,90

### DRAWING AND AIRFLOW CURVE



Non contractual document. All specifications are subject to change without prior notice. For professional use only. Please refer to the conditions of use of our catalogue.